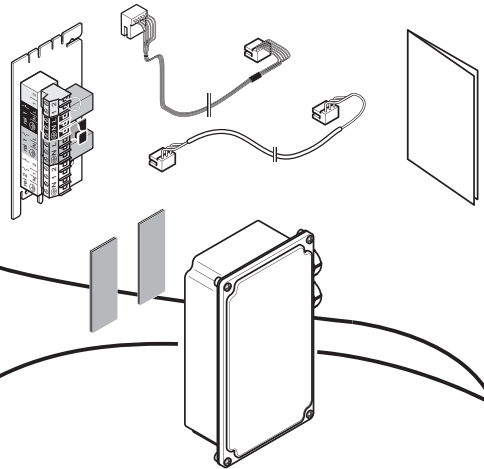
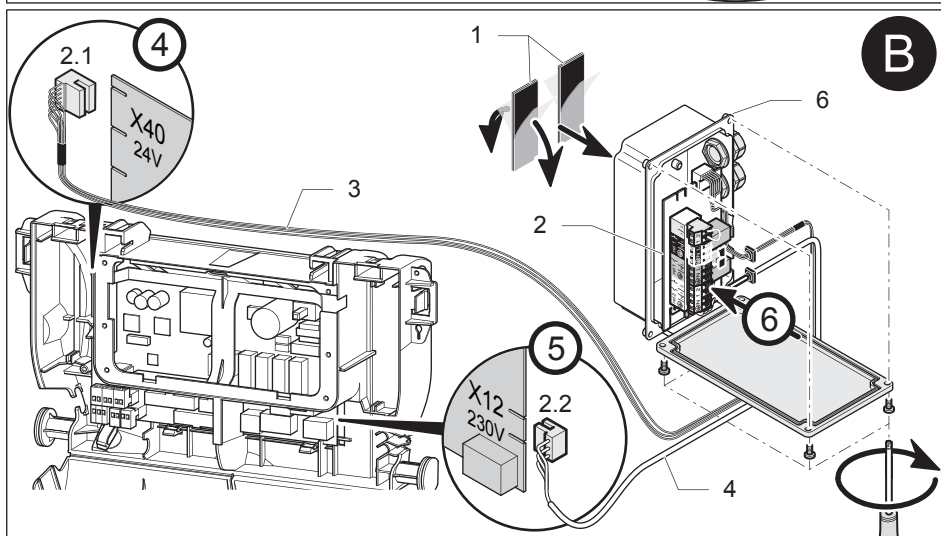
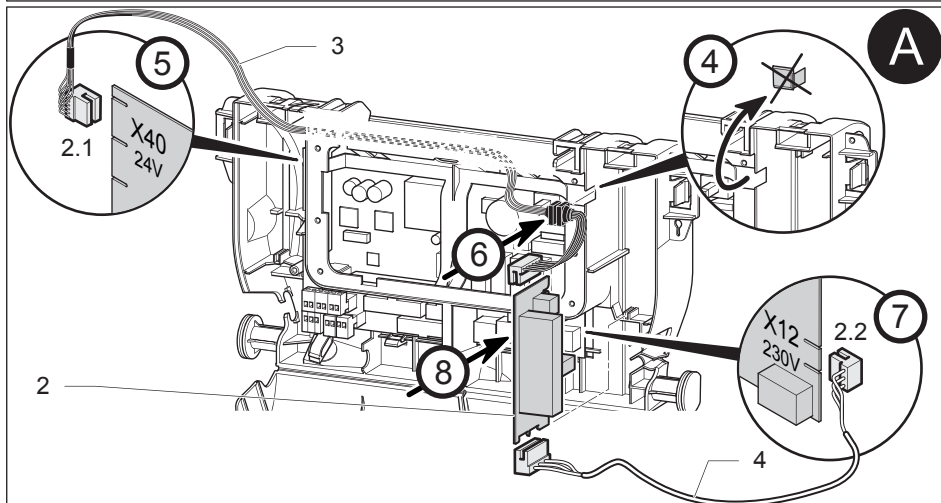
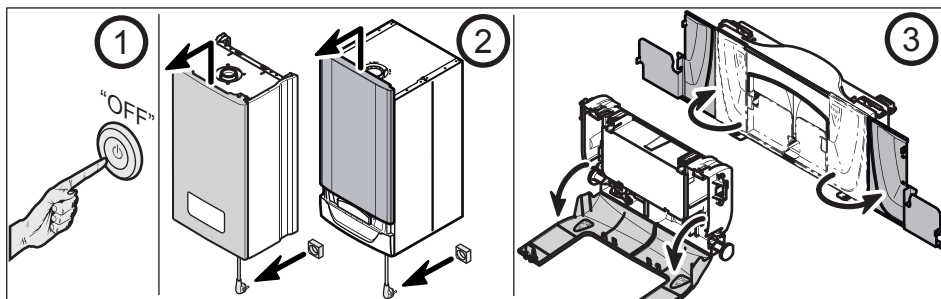




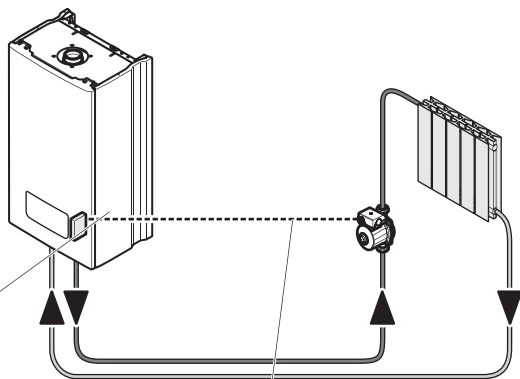
0020094768

Gepard MOV / MTV
Panther KOO / KTO / KOV / KTV
Panther Condens KKO / KKV
Tiger Condens KKZ





2

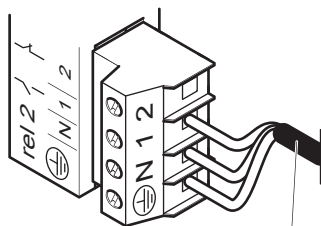


2

B

Code 28

2a

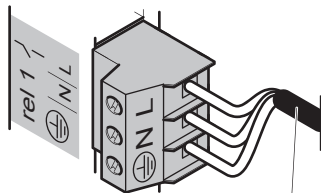


B

1

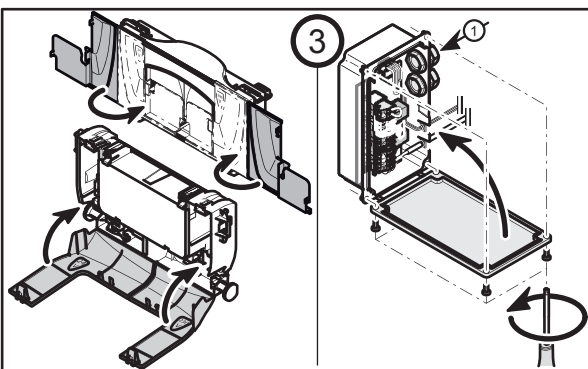
Code 27

2b



B

3

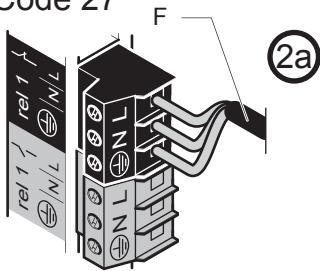


CZ
SK

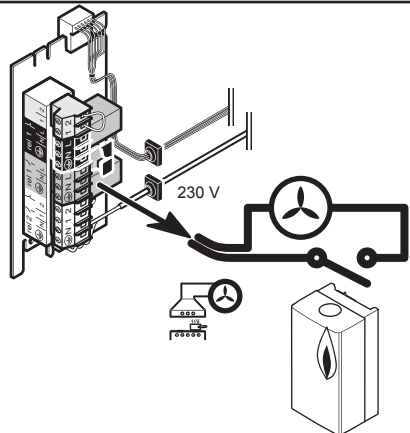
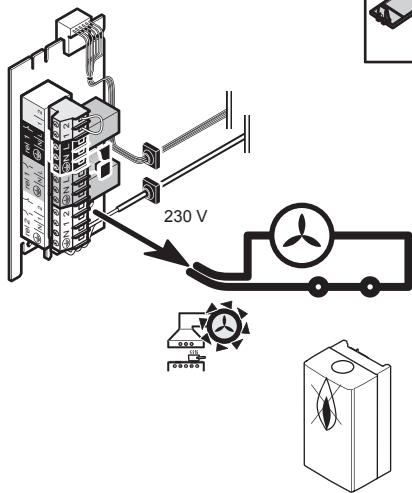
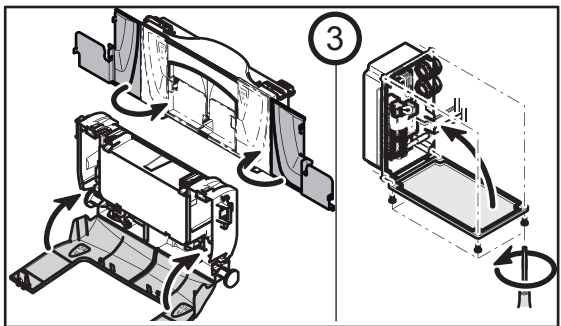
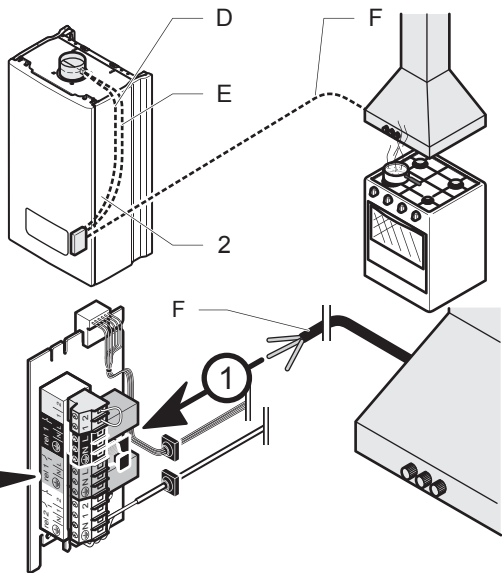
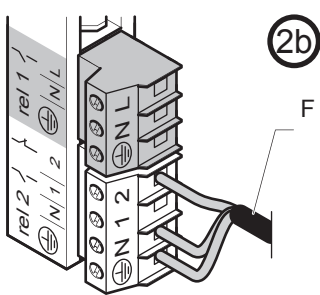
4



Code 27



Code 28

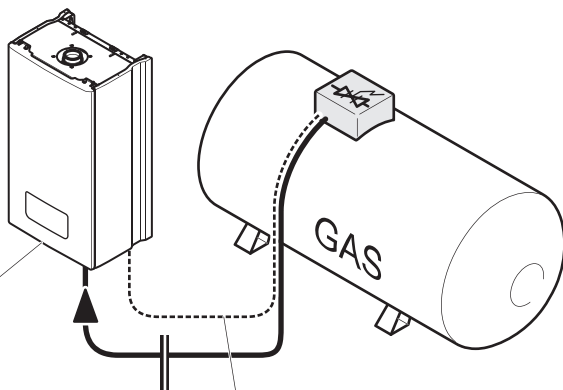


CZ
SK

5



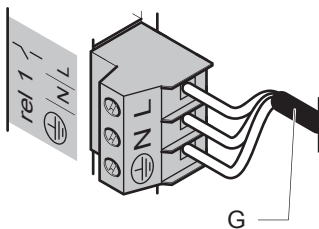
2



G

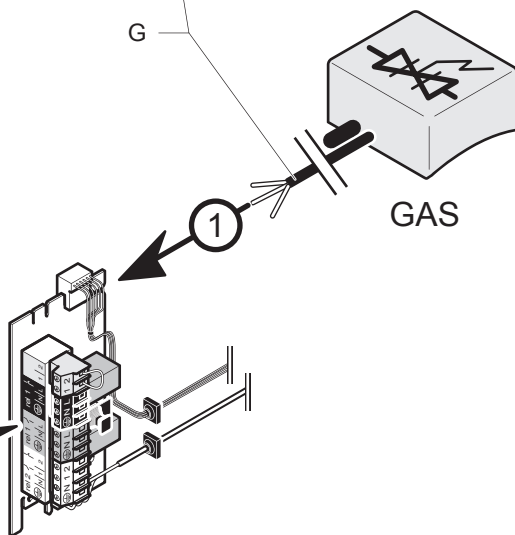
Code 27

2a



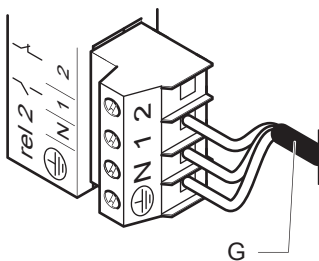
G

1



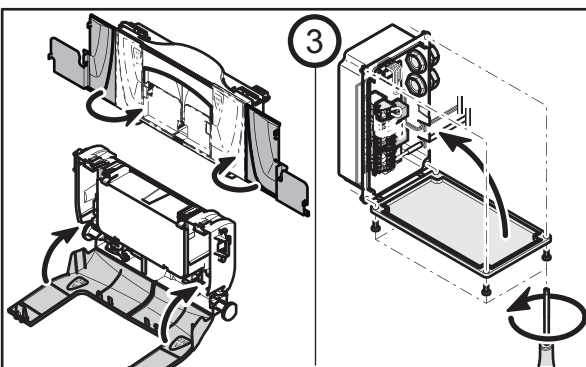
Code 28

2b



G

3



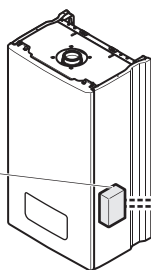
CZ
SK

6

F.XX



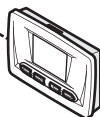
2



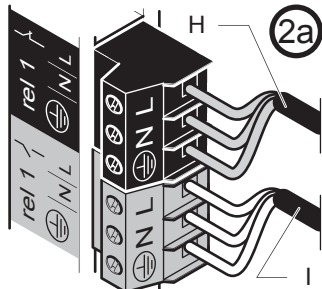
H



I

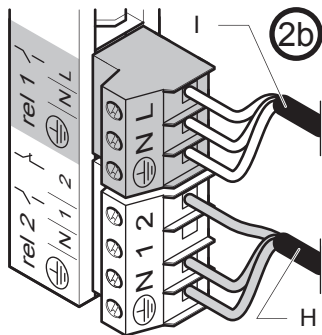


Code 27

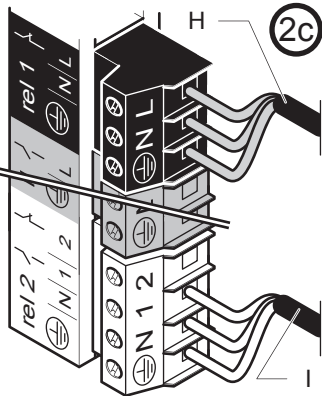


2a

Code 28

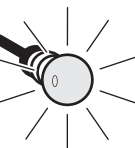


2b

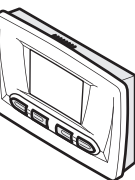


2c

H

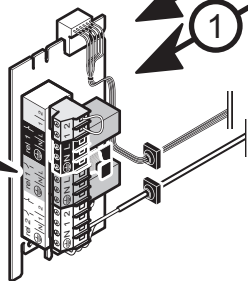


I

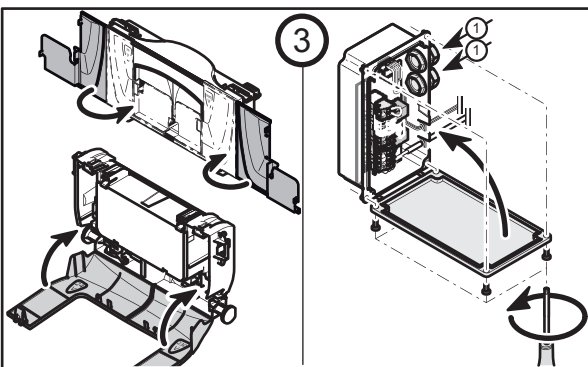


1

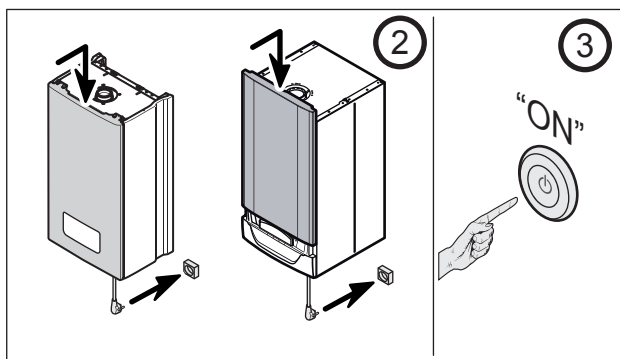
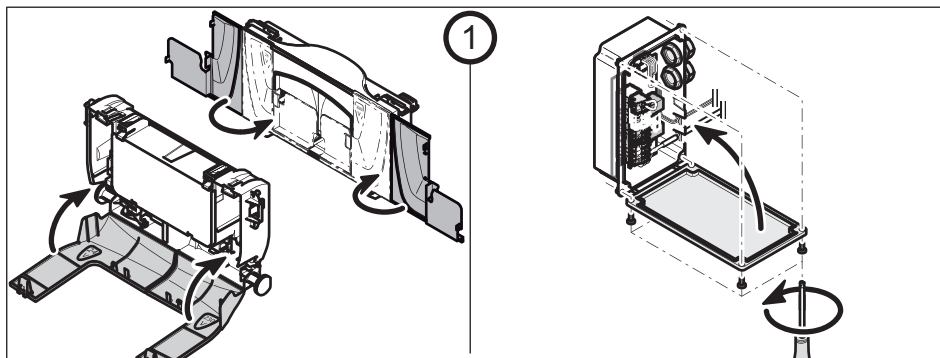
1

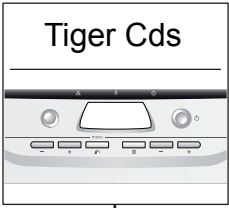
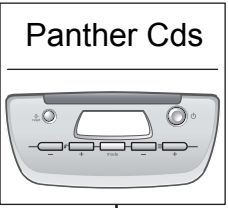
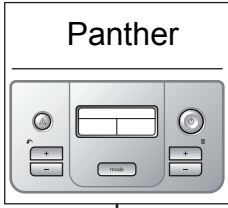
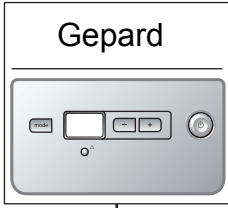


3



CZ
SK





 5 s	 5 s	 5 s	<p>27 : rel 1</p> <p>28 : rel 2</p>								
 ▶ 96	 ▶ 96	 ▶ 96									
 ▶ ok	 ▶ ok	 ▶ ok									
 27 / 28	 27 / 28	 ▶ 27 / 28									
 ▶ ok	 ▶ ok	 ▶ ok									
 2 4 5	 2 4 5	 ▶ 2 4 5									
 ▶ ok	 ▶ ok	 ▶ ok									
			<table border="1" style="width: 100%; border-collapse: collapse;"> <tr> <td style="text-align: center;">2</td> <td style="text-align: center;"></td> </tr> <tr> <td style="text-align: center;">4</td> <td style="text-align: center;"></td> </tr> <tr> <td style="text-align: center;">5</td> <td style="text-align: center;"></td> </tr> <tr> <td style="text-align: center;">6</td> <td style="text-align: center;"></td> </tr> </table>	2		4		5		6	
2											
4											
5											
6											



Technické změny vyhrazeny
Technické zmeny vyhradené

0020111097_03 - 07/11

VAILLANT GROUP CZECH S.R.O.

Chrášťany 188
252 19 Praha-západ
Tel: 257 090 811
Fax: 257 950 917

VAILLANT GROUP SLOVAKIA, S.R.O.

Pplk. Pljušta 45
909 01 Skalica
Tel.: 034 6966 101
fax: 034 6966 111

